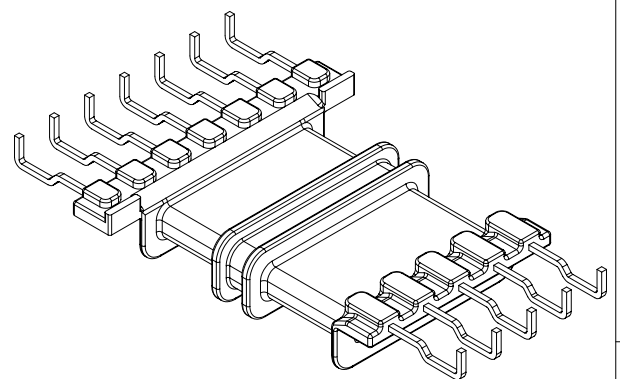
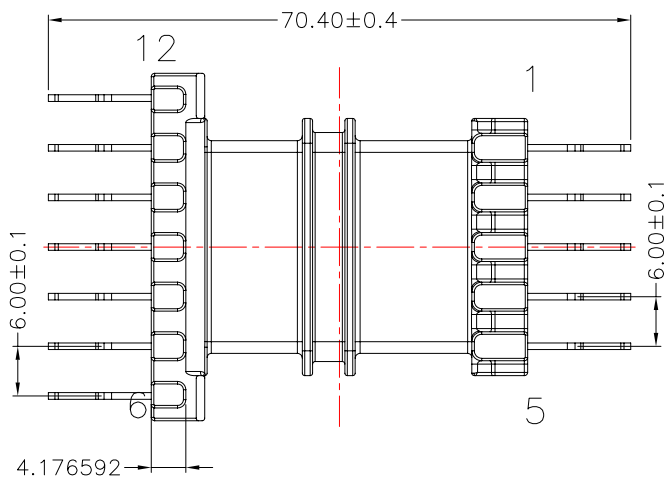
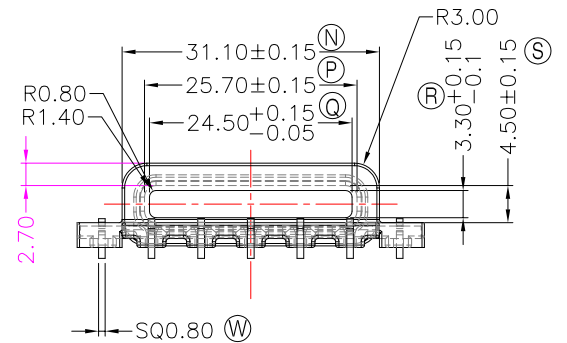
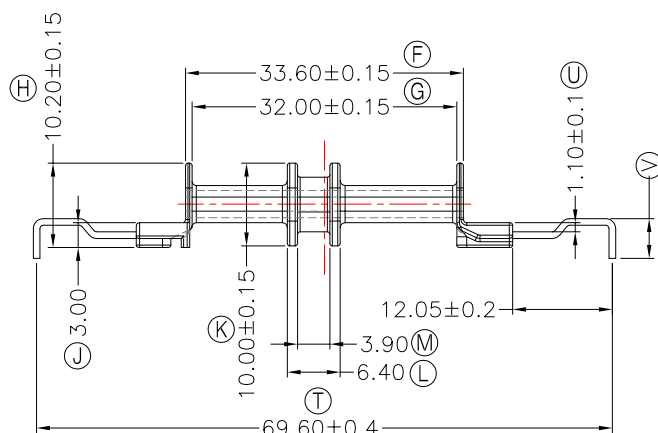
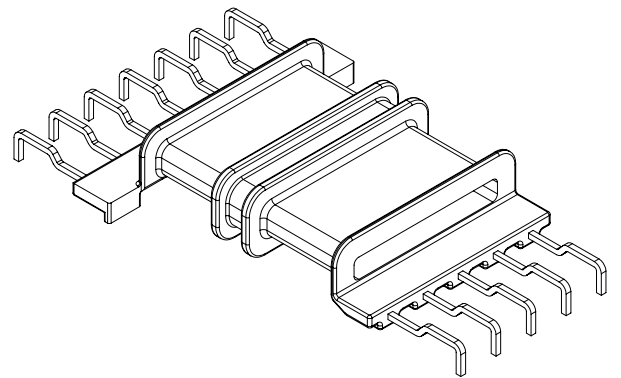
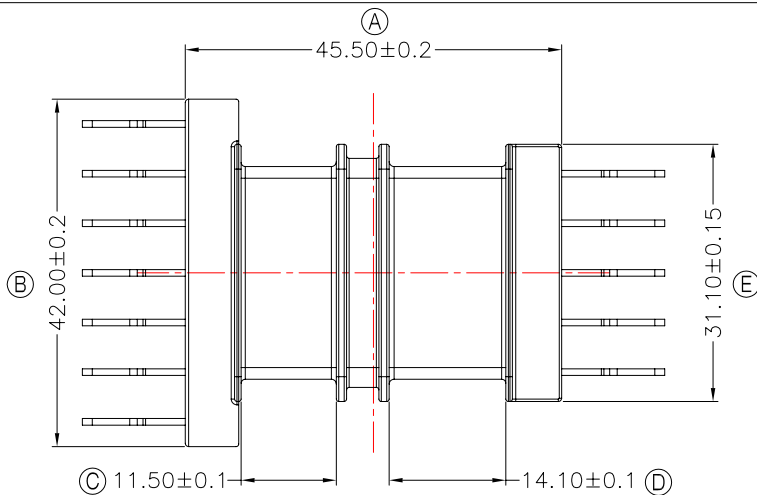




TRANSFORMER BOBBIN
INDUSTRIAL CO.,LTD.

Tel : 86-769-88789999 Fax : 86-769-88789989
http:// tbi-tw.com e-mail : tb6688@ms46.hinet.net

REVISIONS				
REV	SYM	DRAFTER	CHECKER	DATE
1		G.F.YANG	W.H.HSU	08/21/09
2				
3				



NOTE:

WINDING SPACE: (11.5+14.1)*2.7mm=69.12mm²

TBI-207-08031.1106此料號的PIN長控制在4.6~4.9之間

TBI-207-08031.1146此料號的PIN長控制在5.0~5.3之間

DWG NO. EFD45-49.4-12P-THT-0C-11

PART NO.	MATERIAL (BOBBIN)	MATERIAL (TERMINAL)	TERMINAL (PLATING)	PIN ALLOCATION	NOTE
TBI-207-08031.1106	PM-9630	CP WIRE	Sn	ALL PIN (V)=4.6±0.3	S
TBI-207-08031.1116	PM-9630	CP WIRE	Sn	CUT PIN#2 (V)=4.8±0.3	H
TBI-207-08031.1126	PM-9630	CP WIRE	Sn	ALL PIN (V)=4.3±0.3	
TBI-207-08031.1136	PM-9630	CP WIRE	Sn	ALL PIN (V)=5.3±0.3	
TBI-207-08031.1146	PM-9630	CP WIRE	Sn	ALL PIN (V)=5.0±0.3	

TOLERANCE: .X±0.15 .XX±0.10 .XXX±0.05

UNIT : m / m

SCALE 1 : 1

Finish: 1. PB wire Immersion Sn on terminal : Thickness:Sn plating,100,5 μm (200 μ inches) min,Base nickel 0.625 μm (25 μ inches) min.
2. CP wire Immersion Sn on terminal : Thickness:Sn plating,100,5 μm (200 μ inches) min.
3. Coplanarity deviation: 0.10 mm (0.004 inches) max.

REV 1